



**STRIDER 13**



**PETREL GLOBAL SHIPS  
& BOATS TRADING LLC**

Office 621, 6th Floor Block A, Business Village,  
Port-Saeed Deira, Dubai UAE  
[www.petrel-global.com](http://www.petrel-global.com), tel.: +971 52 821 6411

**NEW**  
**STRIDER 13**

# Concept

The new Strider 13 features a dynamic design with sleek profiles and ample space below deck. This model conveys solidity and safety thanks to well-designed geometries and high-quality finishes.

It is an excellent choice for the experienced owner seeking innovation in a sporty MaxiRib, offering the perfect balance between high performance and comfort.



Design

STRIDER 13

STRIDER

The dynamic design of the Strider 13 combines sleek profiles with a modern and attractive look, while the well-designed geometries convey robustness and safety.

Particular attention is given to the choice of materials and finishes with fine leathers and hand-made stitching.



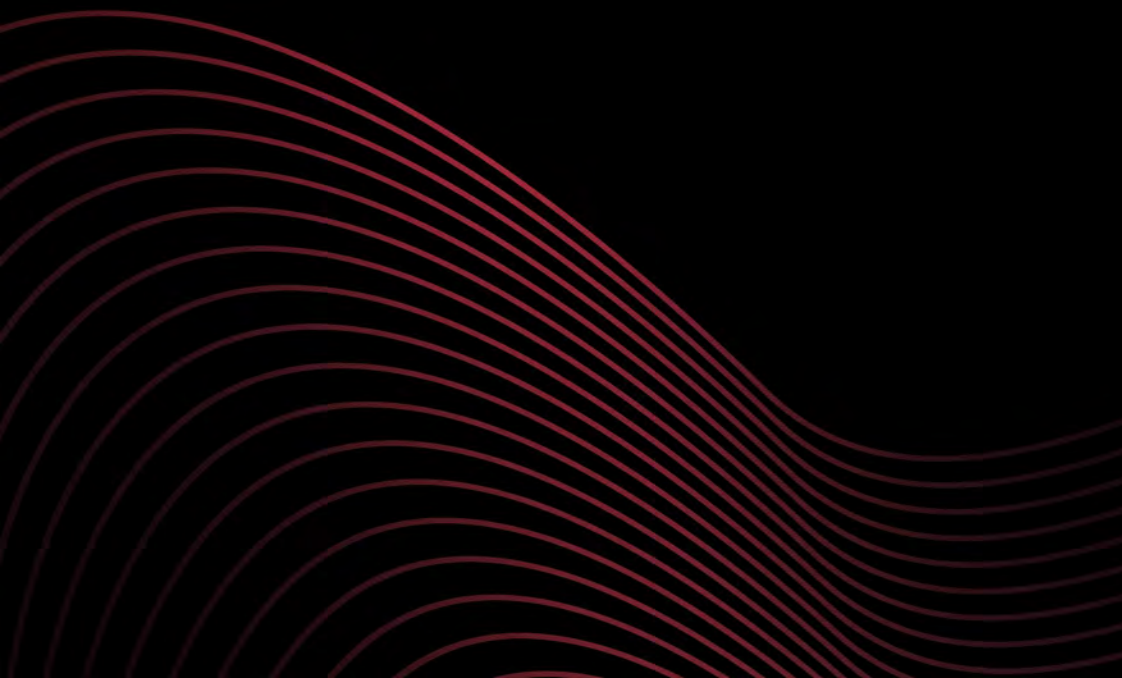


Deck

Innovative, nimble and sporty, but also comfortable, safe and stable. The Strider 13 offers a new navigation experience that combines, both speed and relaxation.



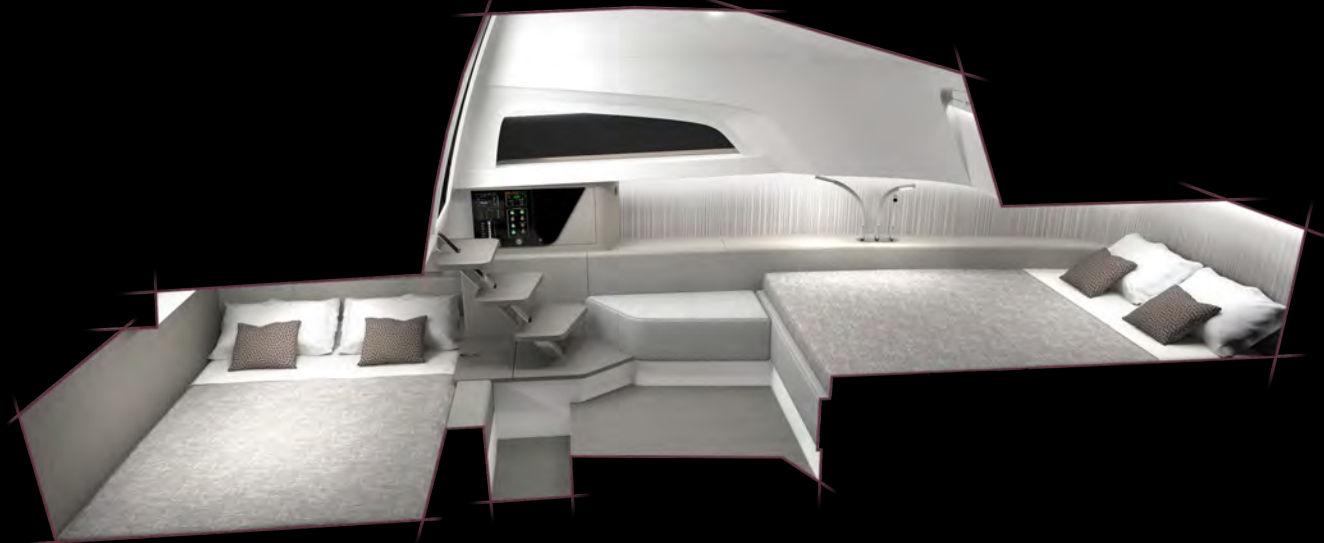
Ample convivial spaces outside are ideal for socializing and relaxing.



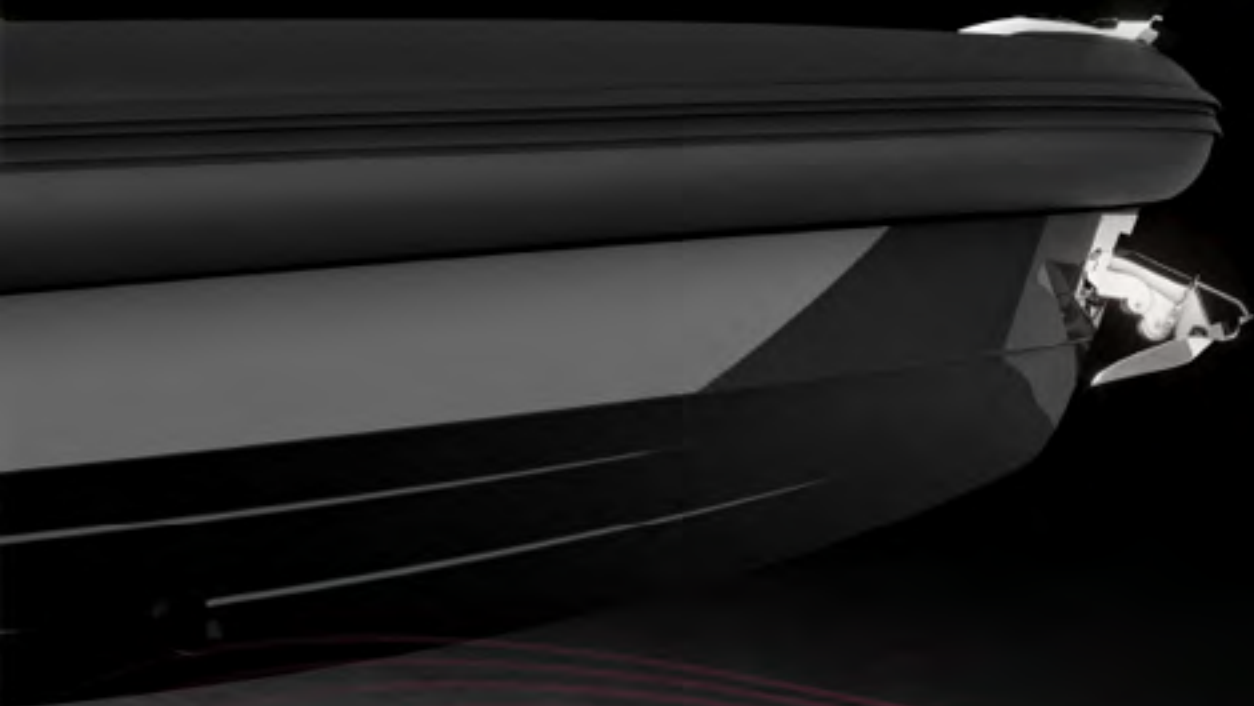
Despite its sporty vocation, the Strider 13 ensures a comfortable and practical navigation experience thanks to the spacious cabin below deck, with convertible paces to maximize the use of the environment, and the large bathroom with a separate shower.





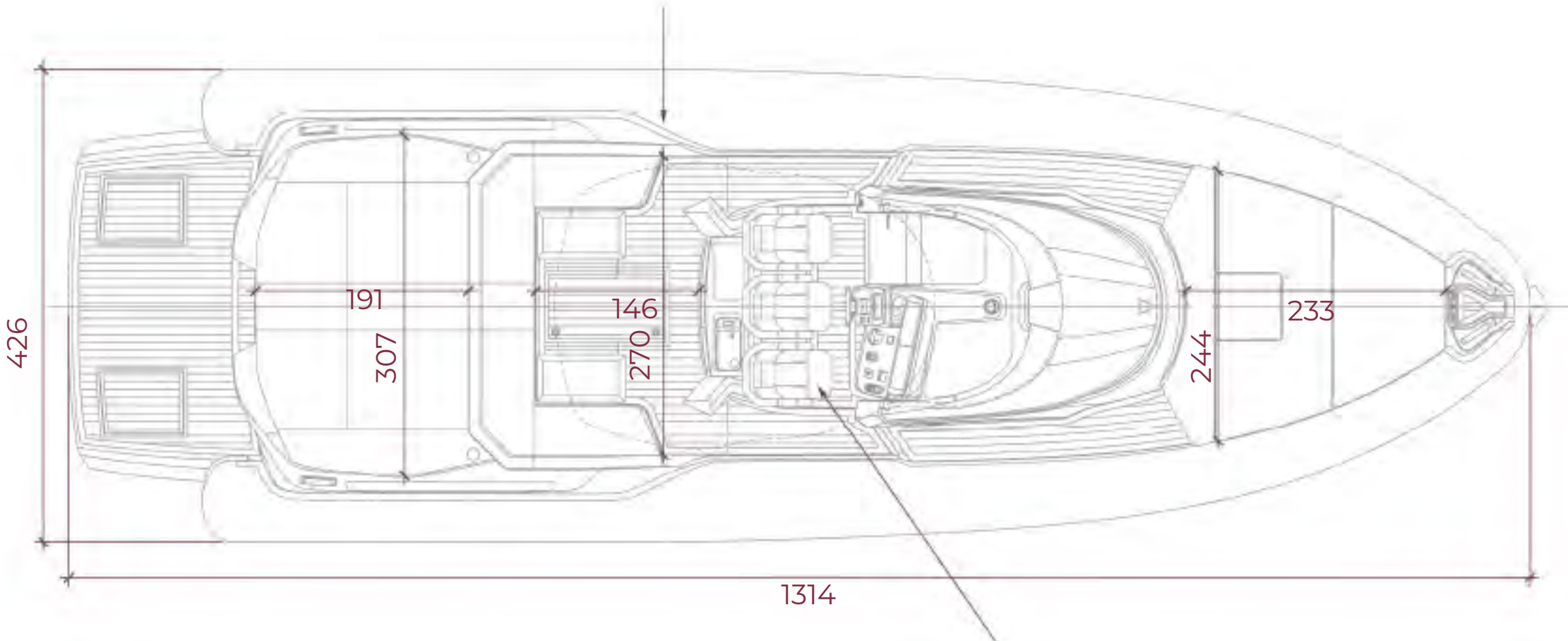


# Technical specifications

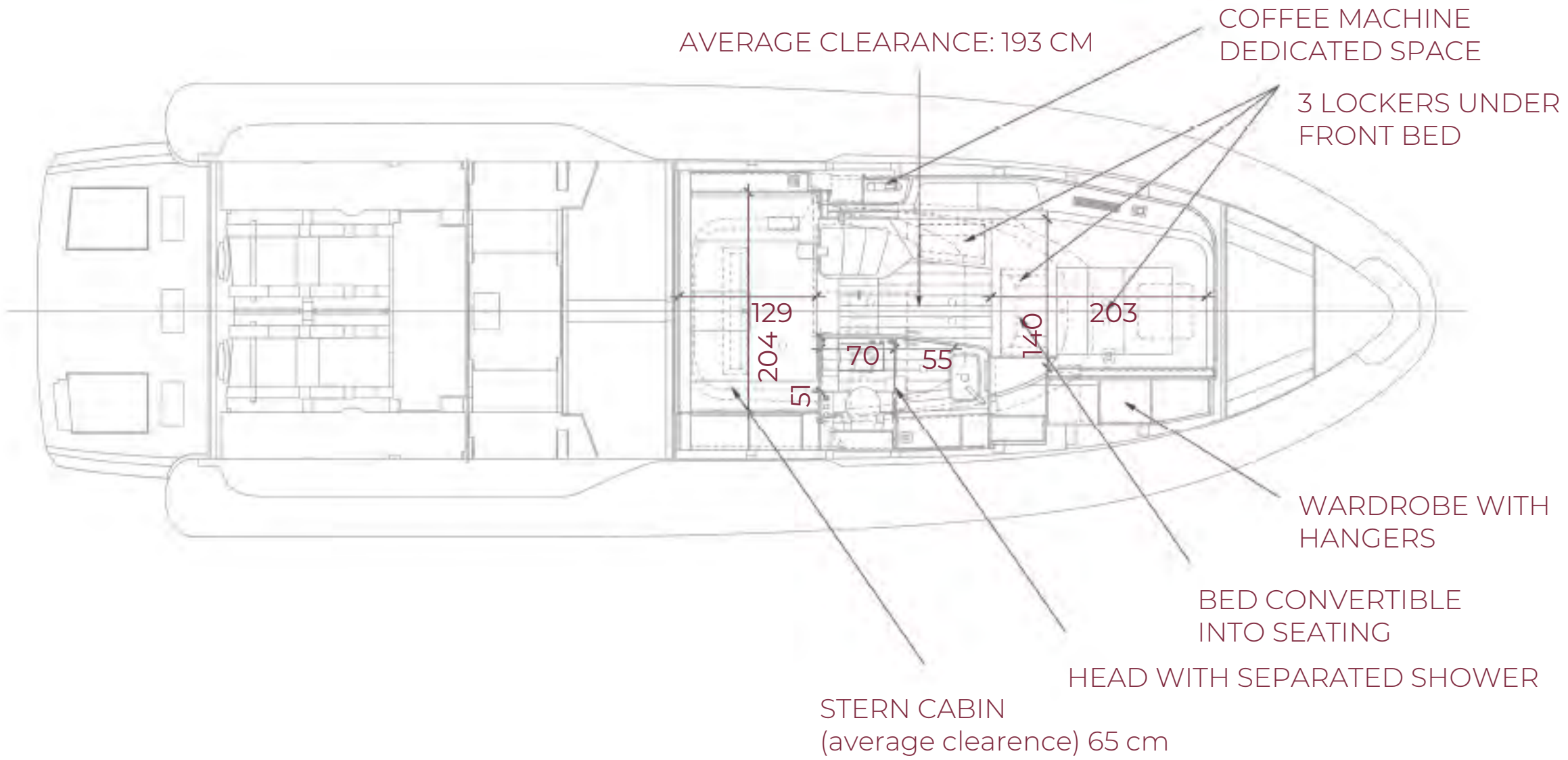


	OUTBOARD	INBOARD
Length (ft)	44,19	43,11
Certifying length (ft)	39,17	
Beam (ft)	13,98	
Width with deflated tubes (ft)	11,55	
Draft (ft)	3,44	
Number of compartments	9	
Tube's diameter (ft)	2,40	
Fuel tank capacity (gal)	303,80	
Water tank capacity (gal)	52,83	
Waste tank capacity (gal)	15,85	
Persons capacity	16	
Sleeping accommodation	2+2	
Hull type	V Hull	
Dead rise	19,4°	
Homologation category	CE- B	
Max power	1200hp	
Hull	White RAL 9016	
Deck	White RAL 9016	
Hard Top	Silver F426	
Tube	ORCA Ice White	
Fender	Grey	
Logo	Grey	
Cushions	Silvertex Sandstone	
Design	Christian Grande Design Works	
Project	SACS TECNORIB	

INNER WIDTH 270 CM  
(30 cm more than previous model)



3 BOLSTER SEATS



AVERAGE CLEARANCE: 193 CM

COFFEE MACHINE  
DEDICATED SPACE

3 LOCKERS UNDER  
FRONT BED

204

129

51

70

55

140

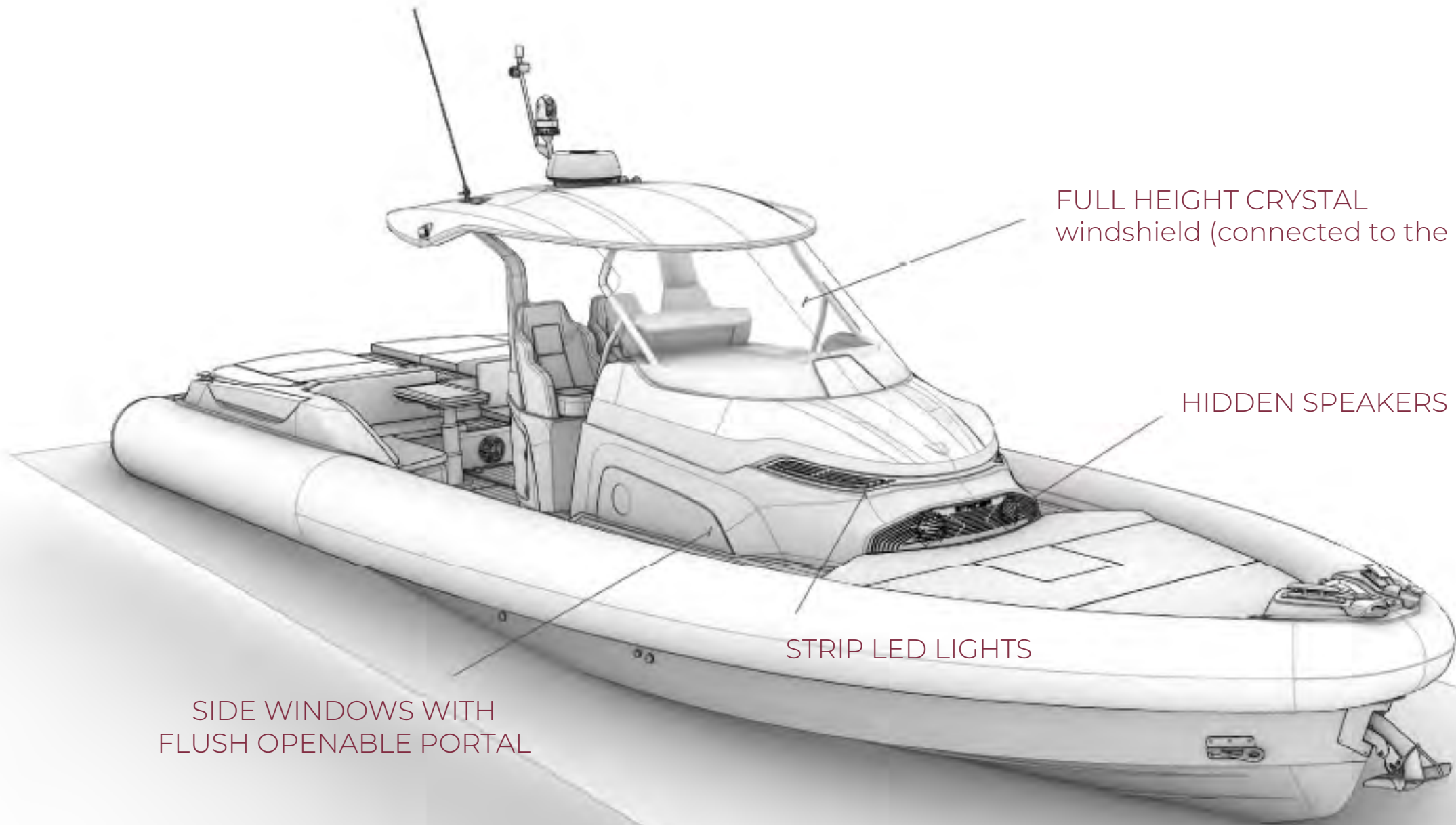
203

WARDROBE WITH  
HANGERS

BED CONVERTIBLE  
INTO SEATING

HEAD WITH SEPARATED SHOWER

STERN CABIN  
(average clearance) 65 cm

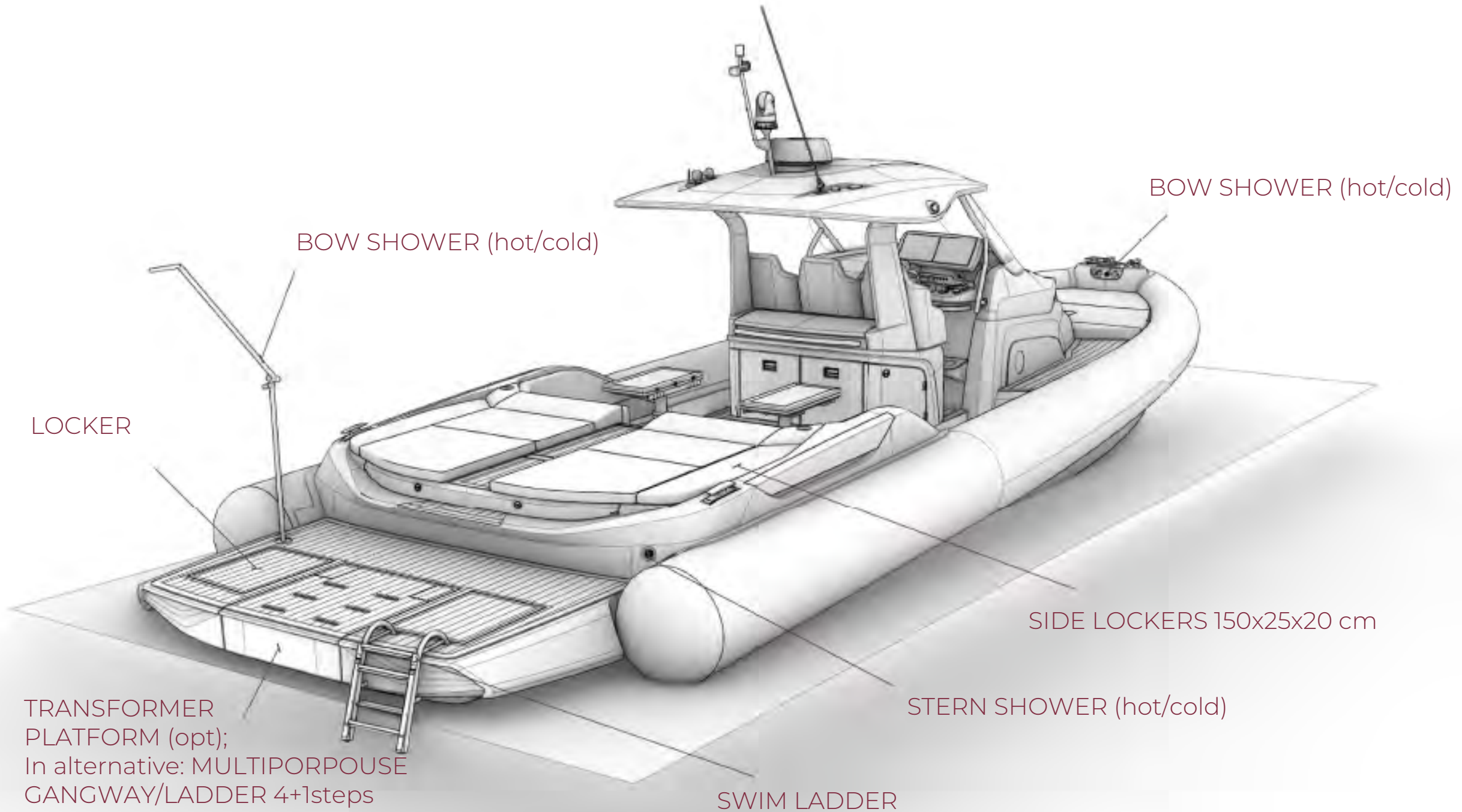


FULL HEIGHT CRYSTAL  
windshield (connected to the hard top)

HIDDEN SPEAKERS

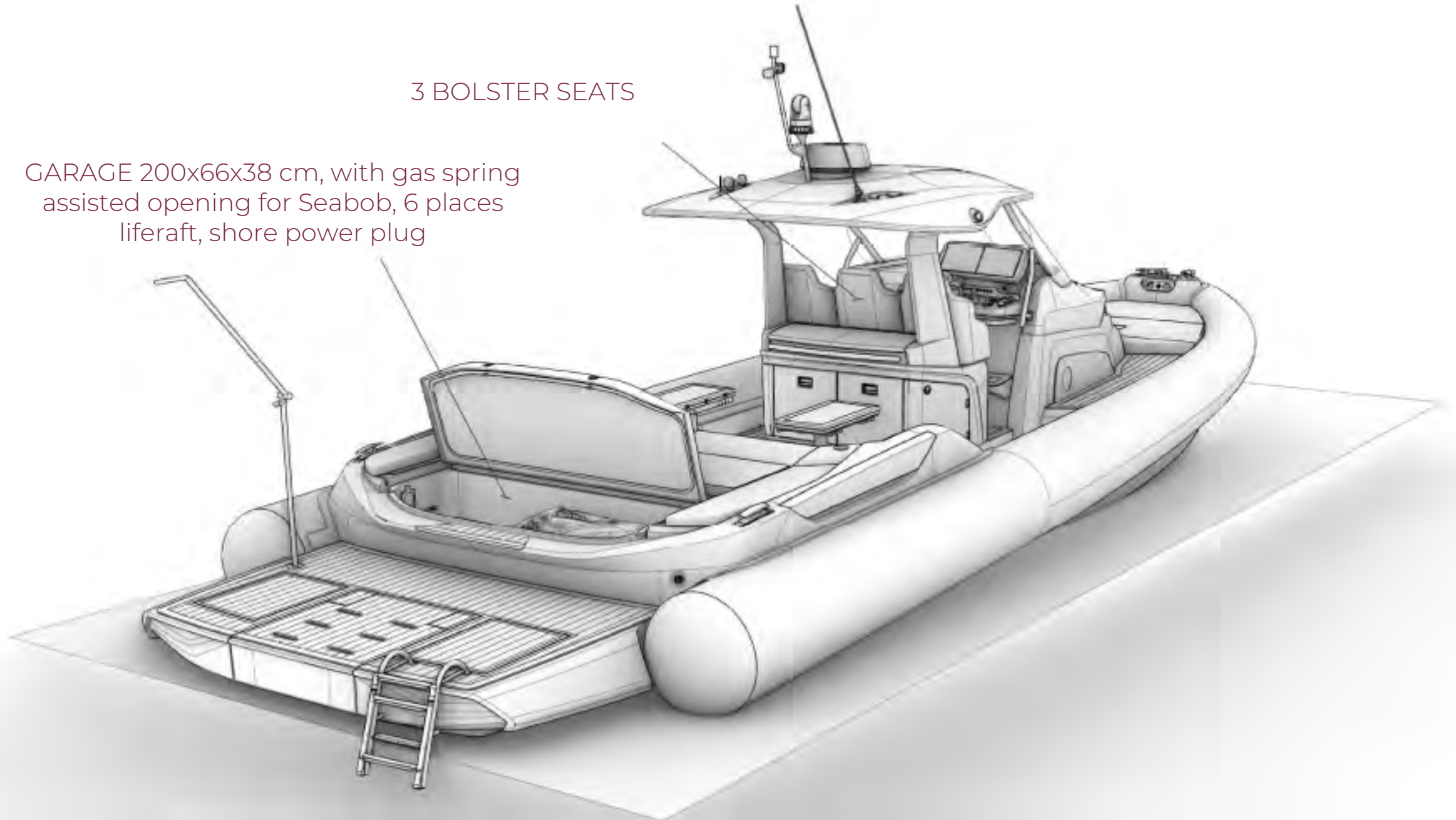
STRIP LED LIGHTS

SIDE WINDOWS WITH  
FLUSH OPENABLE PORTAL



3 BOLSTER SEATS

GARAGE 200x66x38 cm, with gas spring  
assisted opening for Seabob, 6 places  
liferaft, shore power plug





SIDE LOCKERS

TECHNICAL ROOM



WET BAR WITH SINK AND 2  
ZONES INDUCTION HOB (opt)

TWIN OPENING TABLE  
(electric movement as opt)

CUPHOLDER

SIDE CABINET WITH SHELF

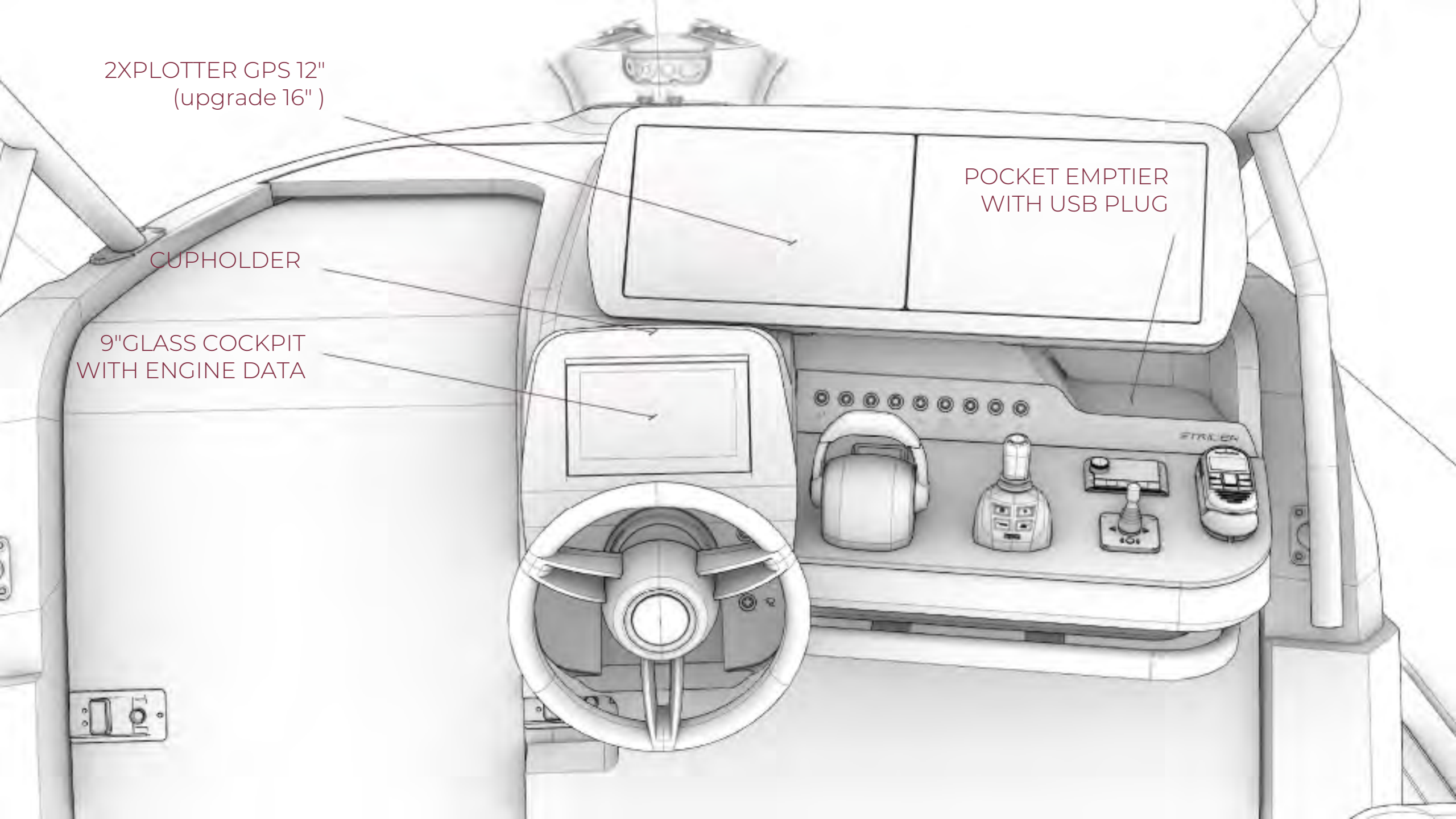
100L DROWER FRIDGE WITH LACQUERED  
FRONT PANEL (2nd fridge or icemaker as opt).

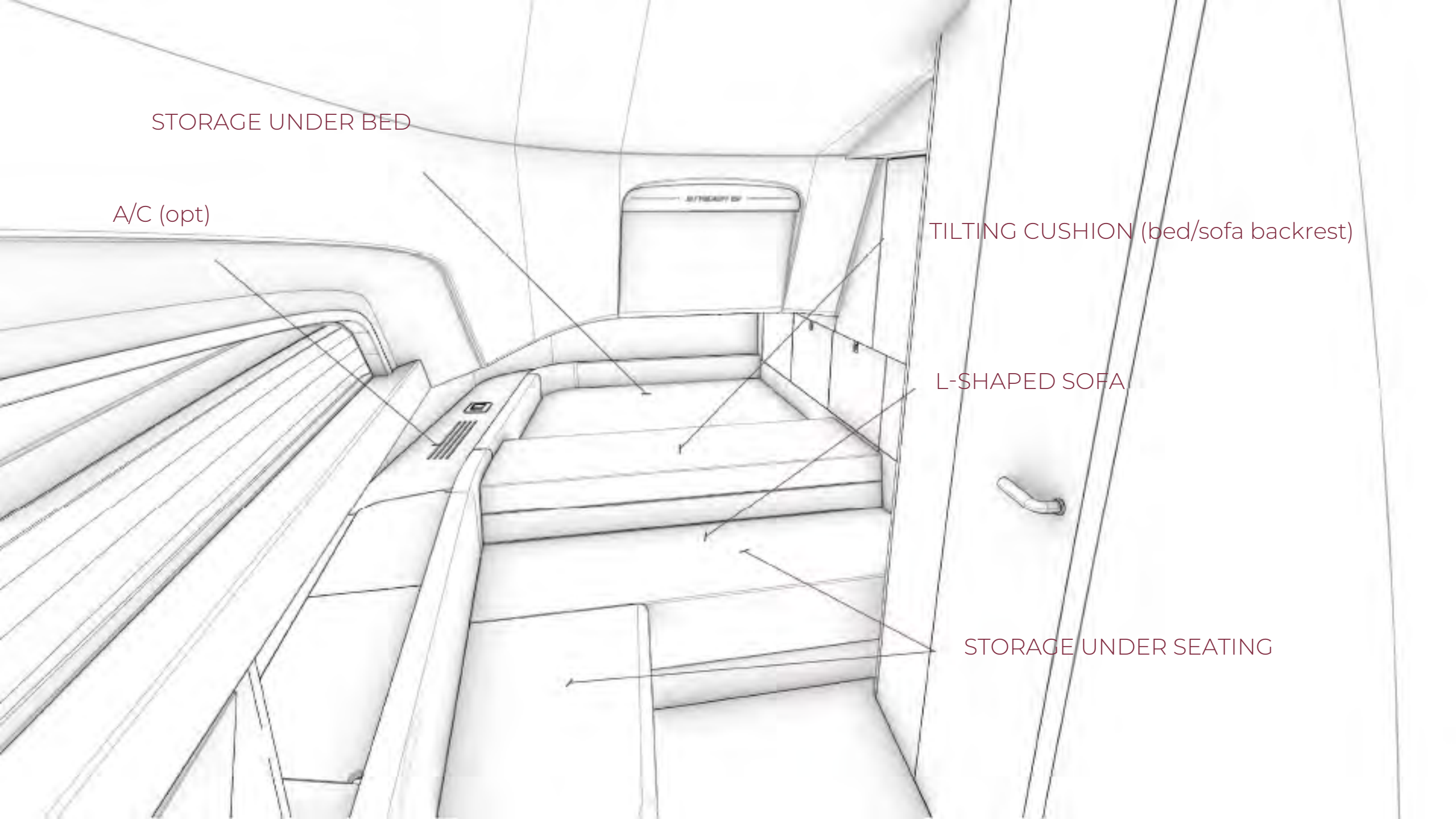
2XPLOTTER GPS 12"  
(upgrade 16" )

POCKET EMPTIER  
WITH USB PLUG

CUPHOLDER

9"GLASS COCKPIT  
WITH ENGINE DATA





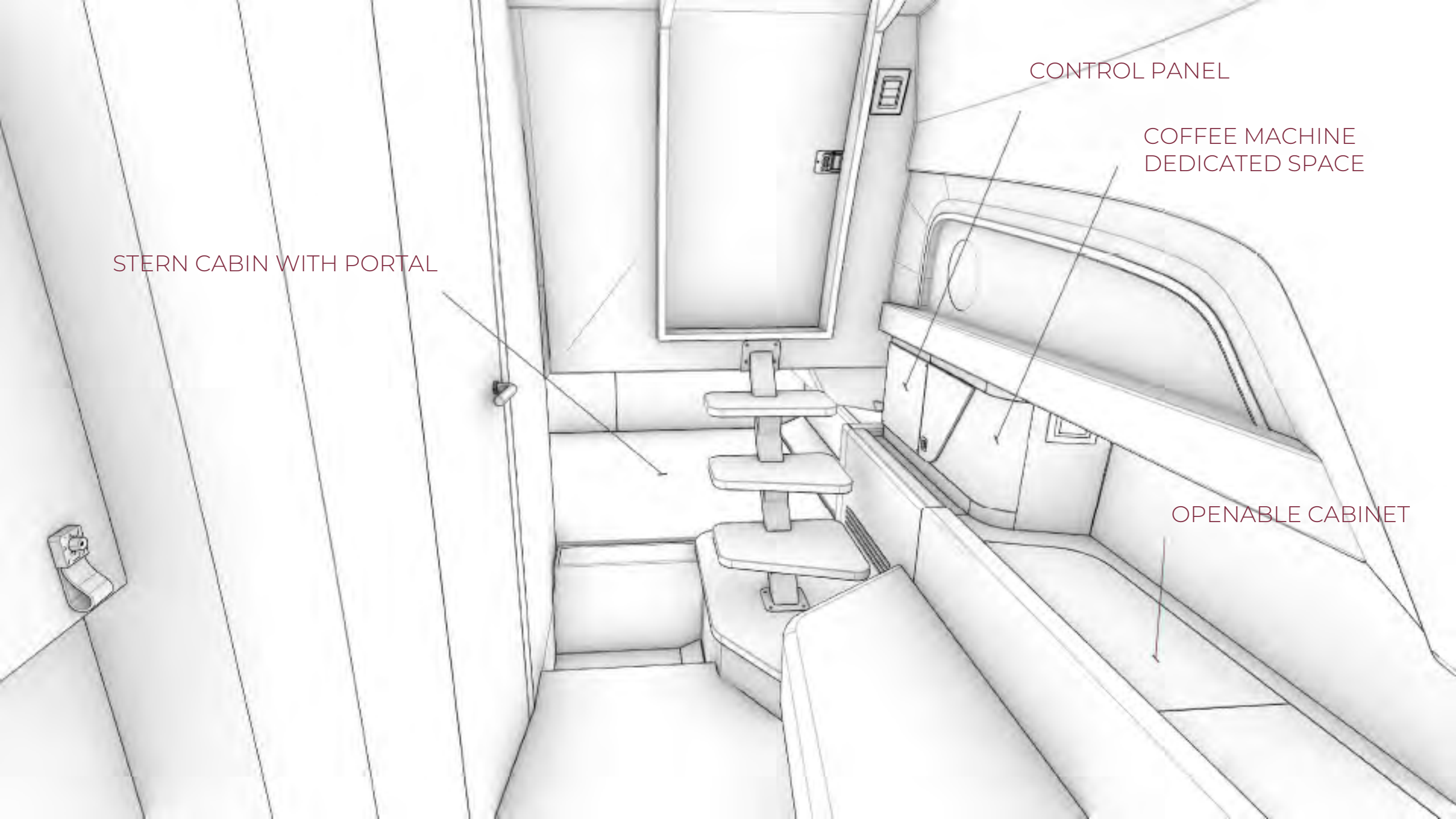
STORAGE UNDER BED

A/C (opt)

TILTING CUSHION (bed/sofa backrest)

L-SHAPED SOFA

STORAGE UNDER SEATING

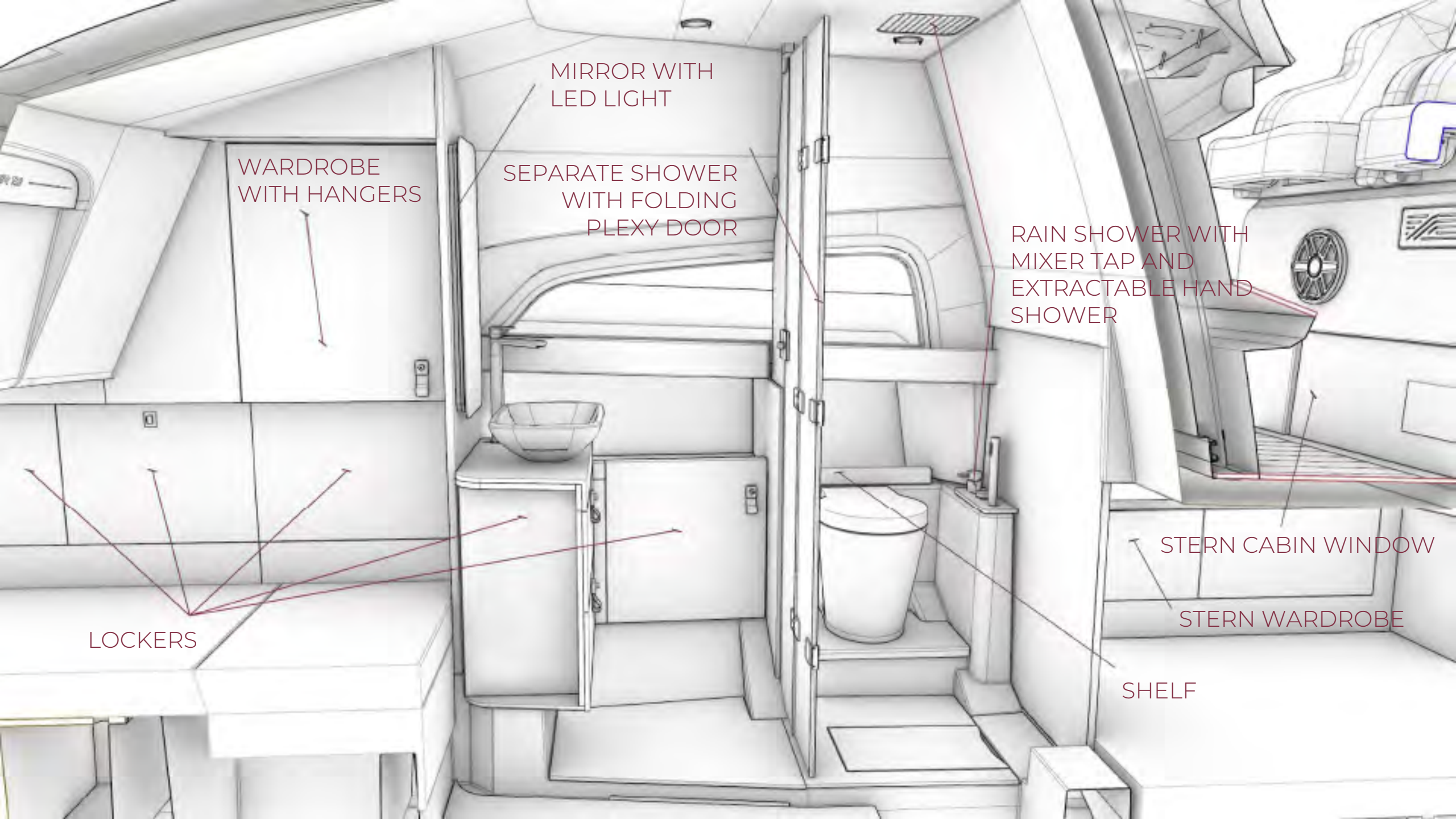


CONTROL PANEL

COFFEE MACHINE  
DEDICATED SPACE

STERN CABIN WITH PORTAL

OPENABLE CABINET



MIRROR WITH LED LIGHT

WARDROBE WITH HANGERS

SEPARATE SHOWER WITH FOLDING PLEXY DOOR

RAIN SHOWER WITH MIXER TAP AND EXTRACTABLE HAND SHOWER

STERN CABIN WINDOW

STERN WARDROBE

SHELF

LOCKERS





STRIDER 13

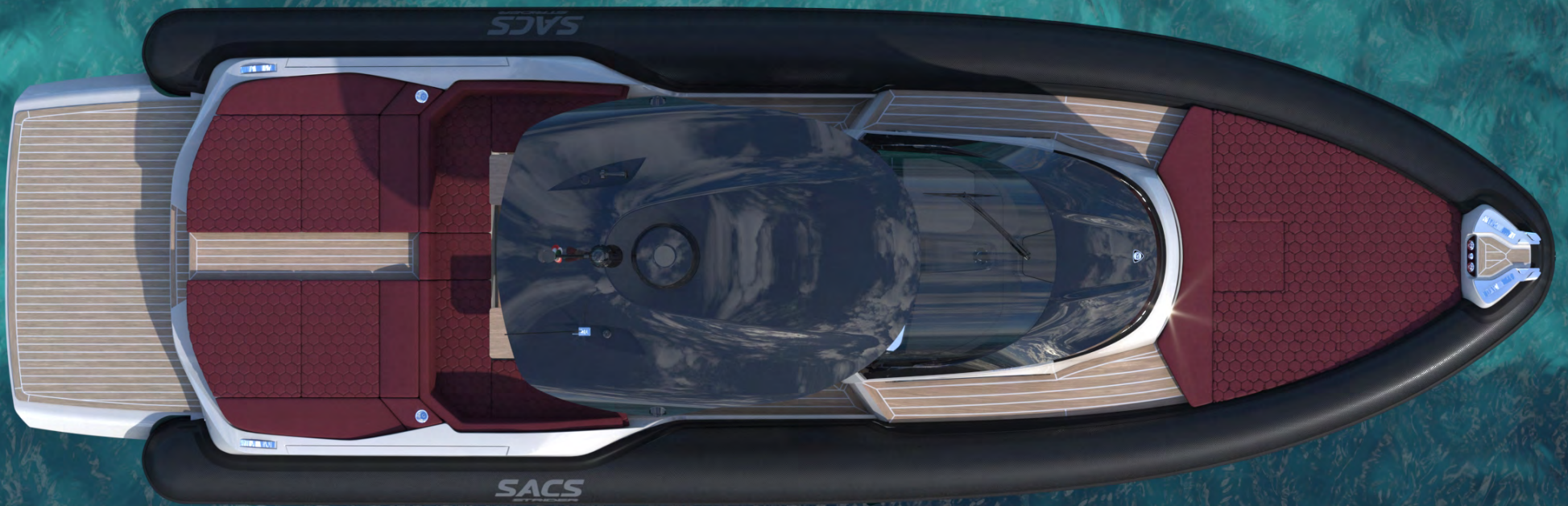
SACS

STRIDER











# NEW STRIDER 13



**PETREL GLOBAL SHIPS  
& BOATS TRADING LLC**

Office 621, 6th Floor Block A, Business Village.  
Port-Saeed Deira, Dubai UAE  
[www.petrel-global.com](http://www.petrel-global.com), tel.: +971 52 821 6411